



I Applications

Thanks to the hopper and auger, the KST progressive cavity pumps are suitable for pumping high viscosity products, doughs, pastes and liquids with suspended particles.

I Design and features

- KST type is a sanitary progressive cavity pump.
- Bare shaft construction with bearing support.
- Pump casing with hopper.
- Fixed transmission.
- Excentric outlet.

I Technical specifications

Materials:

Parts in contact with the product	Stainless steel AISI 316L (1.4404)
Auger	Stainless steel AISI 304 (1.4301)
Other steel parts	Stainless steel AISI 304 (1.4301)
Bearing support	GG-22
Stator	NBR negro (according to FDA and EC 1935/2004)
Gaskets in contact with the product	FPM (according to FDA and EC 1935/2004)

Single internal mechanical seal EN 12756 I1k (according to FDA and EC 1935/2004):

Rotary part	Silicon carbide (SiC)
Stationary part	Carbon (C)
Gaskets	FPM

Hopper with auger



Surface finish:

Internal	Bright polish, except for electropolished auger
External	Matt

Conexiones:

	DIN 11851
	CLAMP
	SMS

Operating limits (depending on the model):

Maximum flow	34 m ³ /h	148 US GPM
Maximum working pressure		
- single stage	6 bar	87 PSI
- double stage	12 bar	174 PSI
Maximum working temperature	85 °C (depending on materials)	185 °F
Maximum speed	500 rpm	



I Technical specifications

Type	Capacity at 100 rev. [l]	Max. flow [m ³ /h]	Max. pressure [bar]		Max. speed [rpm]	Min. starting torque [Nm]	
			Single stage	Double stage		Single stage	Double stage
KST-20	2,8	0,82	6	12	500	18	30
KST-25	6,7	2			500	20	36
KST-30	9,8	2,9			500	25	45
KST-40	23,7	5,7			400	45	80
KST-50	45,1	9,5			350	70	125
KST-60	82	17,2			350	110	190
KST-80	185,4	33,5			300	150	260

I Options

- Double pressurized mechanical seal.
- Single flushed mechanical seal (Quench).
- Mechanical seal: SiC/SiC.
- Gland packing.
- Stators: white EPDM and black NBR.
- Gaskets: EPDM.
- Other types of connections.
- Heavy-duty transmission.
- Stainless steel trolley.
- Electrical control panel.
- Cleaning port (CIP).
- ATEX certification.

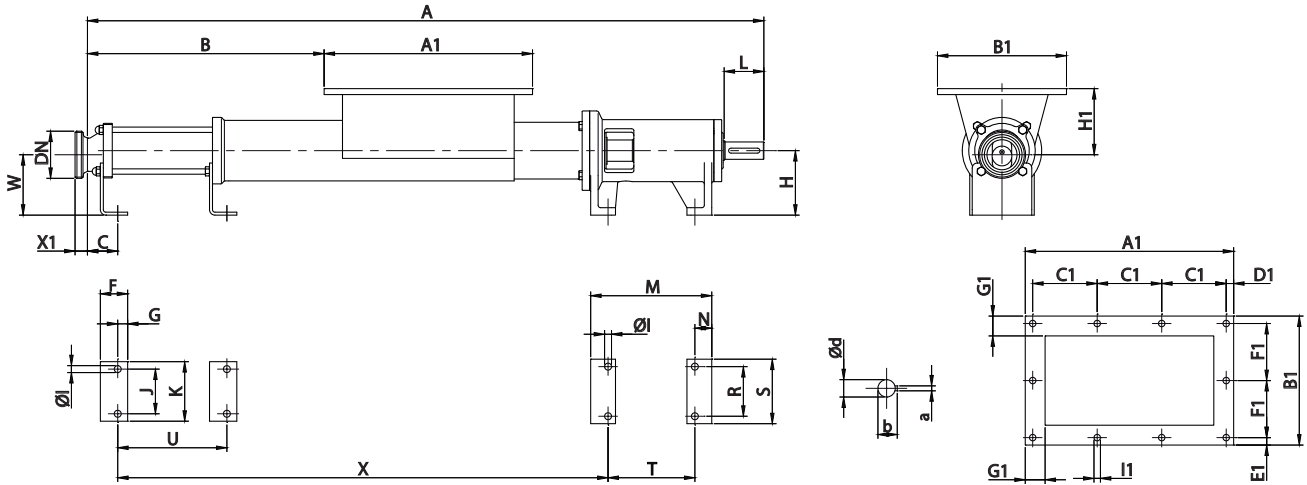
I Dimensions

Type	A1	B1	C1	D1	E1	F1	G1	I1
KST-20 2KST-20	300	210	70	10	10,5	63	25	10
KST-25 2KST-25	365	250	69	10	10	57,5	30	12
KST-30 2KST-30	365	250	69	10	10	57,5	30	12
KST-40 2KST-40	420	260	130	15	15	115	40	14
KST-50 2KST-50	420	260	130	15	15	115	40	14
KST-60 2KST-60	585	340	110	17,5	15,5	103	40	14
KST-80 2KST-80	585	340	110	17,5	15,5	103	40	14

Type	DN	DIN 11851	SMS	CLAMP OD
		X1		
KST-20 2KST-20	40 1½"	22	23	14
KST-25 2KST-25	50 2"	23	23	21
KST-30 2KST-30	50 2"	23	23	21
KST-40 2KST-40	65 2½"	25	27	20
KST-50 2KST-50	80 3"	40	27	21
KST-60 2KST-60	100 4"	30	30	21,5
KST-80 2KST-80	100 4"	30	30	21,5



I Dimensions

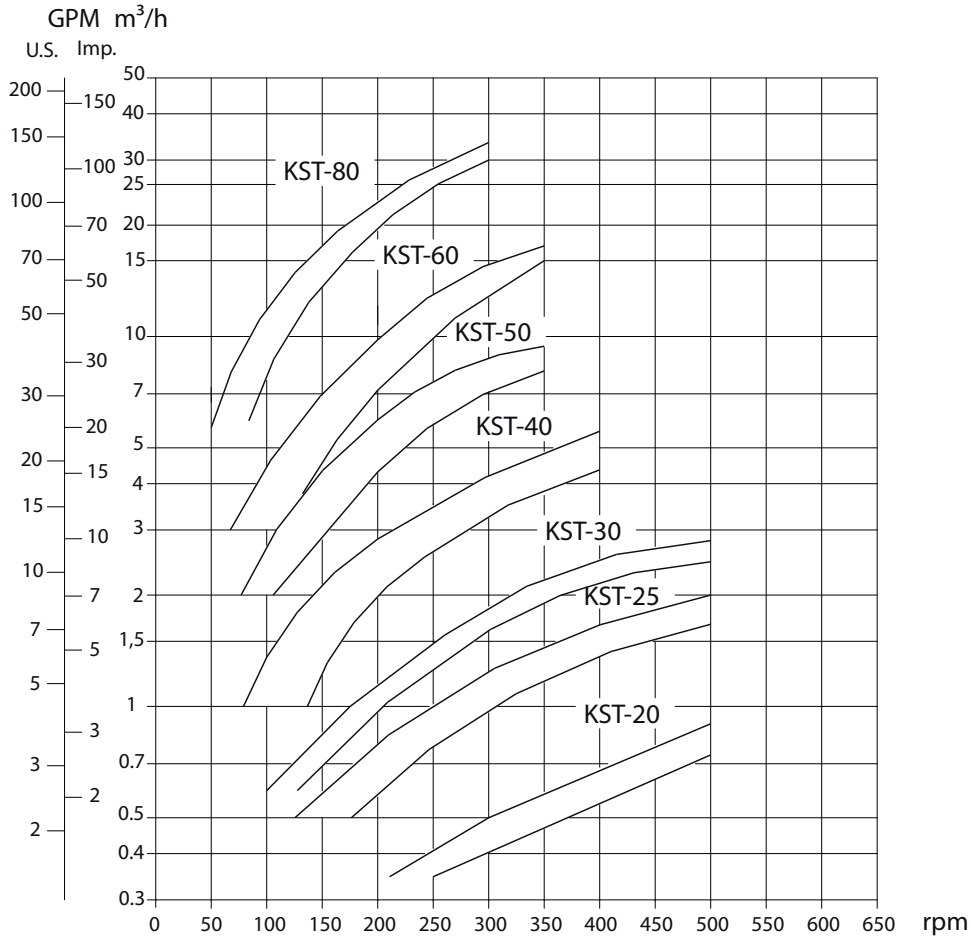


Type	DN	d	L	a	b	A	B	C	F	G	H	H1	I	J	K	M	N	R	S	T	U	X	W	Weight kg
KST-20	40	20	50	6	22,5	812	22	35	35	12	90	88	11	45	70	179	27	70	100	125	105	556	87	19
2KST-20	1½"					912	322														205	656		20
KST-25	50	25	60	8	27,9	1008	308	40	40	15	110	128	11	60	90	204	32	90	120	140	166	716	107	30
2KST-25	2"					1100	400														258	808		31
KST-30	50	25	60	8	27,9	1008	308	40	40	15	110	131	11	60	90	204	32	90	120	140	166	716	104	31
2KST-30	2"					1158	458														316	866		32
KST-40	65	35	80	10	38,3	1273	427	55	55	20	130	133	14	90	120	244	34	100	130	175	223	898	122	47
2KST-40	2½"					1463	617														413	1088		53
KST-50	80	35	80	10	38,3	1334	488	55	55	20	130	138	14	90	120	244	34	100	130	175	280	956	117	51
2KST-50	3"					1588	742														534	1209		60
KST-60	100	48	110	14	51,5	1703	613	60	60	20	160	174	18	130	170	271	38	150	190	195	330	1262	146	107
2KST-60	4"					2003	913														630	1562		126
KST-80	100	48	110	14	51,5	1833	473	60	60	20	160	188	18	130	190	271	38	150	190	195	440	1372	132	124
2KST-80	4"					2233	1143														840	1772		157



FT:KIBER_KST.1.EN-0317

I Performance chart



The information is for guidance only. We reserve the right to modify any material or feature without notice in advance. Photos are not binding. For further information, please, consult our web site. www.inoxpa.com